

**PRECISION
INTERNATIONAL**



14 TODD COURT EXTENSION - YAPHANK - N.Y. - 11980

PHONE: 800-872-6649

Email: Sales@transmissionkits.com

The Problem Solvers

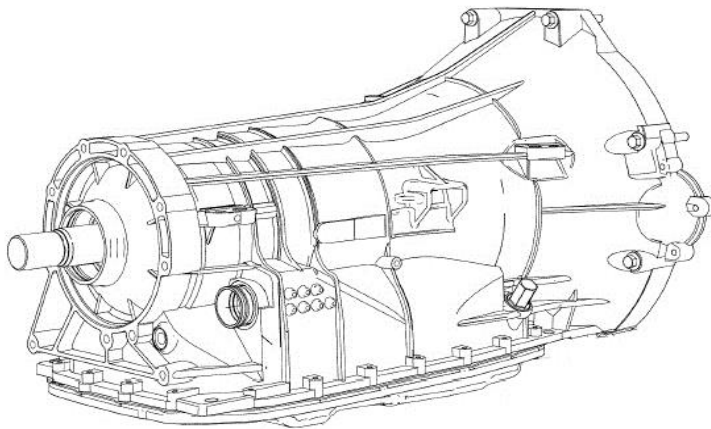
NEW KIT ANNOUNCEMENT

ZF6HP26/X, ZF6SHP26 (FORD)
YEAR COVERAGE 2004-09

APPLICATION

LINCOLN NAVIGATOR V8 5.4L (RWD/4x4) 2005-08
FORD EXPEDITION V8 5.4L (RWD/4x4) 2006-07
BMW 545i V8 4.4L (RWD) 2004-06
645ci, 645Li V8 4.4L (RWD) 2004-06
745i, 745Li V8 4.4L (RWD) 2002-05
750i, 750Li V8 4.8L (RWD) 2006
7 SERIES (B7) V8 4.4L (RWD) 2007
X5 (4WD) 2004-09
LAND ROVER:LR3 2005-08,RANGE ROVER HSE,SPORT
2006-08 (4WD)
JAGUAR S TYPE V6 2.7L,3.0L & V8 4.2L (6SP RWD) 2003-07
XF 4.2L (6SP RWD) 2009, XK 4.2L (6SP RWD) 2003-08
XJ8, XJ8L V6 3.0L & V8 4.2L (6SP RWD) 2004-08
XJR SUPER V8 V8 4.2L (6SP RWD) 2004-07
XJ8 VANDEN PLAS V8 4.2L (6SP RWD) 2004-07
XK8,XKR V8 4.2L (6SP RWD) 2004-07

DISTINGUISHING CHARACTERISTICS



REBUILDING KITS

OVERHAUL KP82900H

BANNER KP8200HW/O

MASTER KP8200H

RING KIT K82901H-SP

FRICITION MODULE K8200H-1F
STEEL MODULE K8200H-1S
NOTE: THIS TRANSMISSION DOES NOT
CONTAIN MOLDED PISTONS.

BULK AVAILABLE COMPONENTS

FILTER

82575C 2002-06

37575L 2007-UP

METAL CLAD SEALS

PUMP - 37842

EXTENSION HOUSING (2WD) - 37520

EXTENSION HOUSING (4WD) - 37205

REAR FLANGE (2WD) - 37250

MANUAL SHAFT - 82651

PAN GASKETS

82704X 2005-2006

82703X 2007-UP

BENEFITS

- 1 CONTAINS BONDED VALVE BODY GASKET
- 2 CONTAINS O.E.M. COMPARABLE MATERIAL
- 3 CONTAINS ALL VALVE BODY SCREENS AND VALVE SEALS
- 4 SUB PACKAGED FOR EASE OF LOCATION
- 5 CONTAINS ALL NECESSARY PLASTIC THRUST WASHERS
- 6 CONTAINS ALL NECESSARY VALVE BODY CHECKBALLS
- 7 CONTAINS ALL CENTER SUPPORT TUBE SEALS

