

OAW

APPLICATION

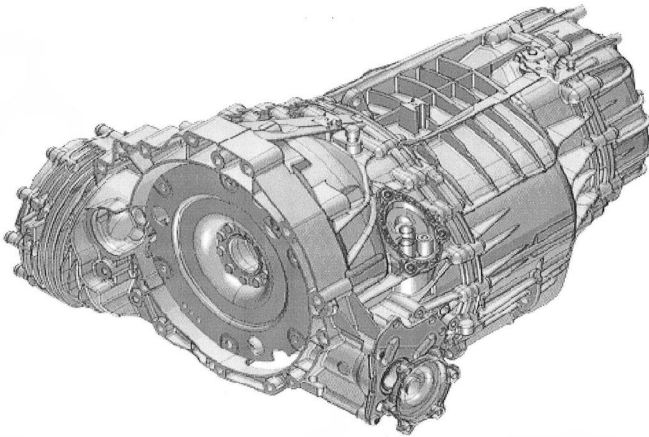
AUDI A4/S4/AVANT 2007-14
AUDI A5/S5/COUPE/SPORTBACK/CABRIOLET 2007-14
AUDI A6/AVANT 2010-15
AUDI A7 SPORTBACK 2010-15

REBUILDING KITS

OVERHAUL: K40900SX+
K40900S*
BANNER: K4000SXW/O+
K4000SW/O*
MASTER: K4000SX+
K4000S*
PISTON KIT: K40900S-99
RING KIT: K40300SA
FRICTION MODULE: K4000S-1F
STEEL MODULE: K4000S-1S
* - W/ PISTON
+ - W/O PISTON

DISTINGUISHING CHARACTERISTICS

THERE MAY BE SLIGHT VARIATIONS FROM MODEL TO MODEL, BUT OVERALL CASE CONFIGURATION IS THE SAME



AVAILABLE COMPONENTS

FILTER
40575SA - MAIN
40575SB - AUXILIARY CARTRIDGE
METAL CLAD SEALS
40113 - FRONT COVER
40177 - FINAL DRIVE DIFFERENTIAL COVER
40939 - SIDE SHAFT
40126 - DIFFERENTIAL SHAFT
40754 - PUMP HOUSING
40272 - ENTRAINMENT PUMP
40182 - CONTROL SHAFT

BENEFITS

- 1 AVAILABLE BOTH WITH AND WITHOUT PISTON
- 2 OEM COMPARABLE MATERIAL ON ALL COMPONENTS
- 3 CONVENIENTLY SUB-PACKAGED FOR EASE OF LOCATION AND INSTALLATION
- 4 CONTAINS VALVE BODY SCREEN
- 5 HANDY TECHNICAL DATA SHEET TO ASSIST REBUILDER (PRECISION POINTER)
- 6 CONTAINS AUXILIARY EXTERNAL CARTRIDGE FILTER
- 7 CONTAINS BOTH CASE HALF GASKETS TO COVER ALL MODELS
- 8 CONTAINS PUMP BODY COMPONENTS

THE PROBLEM SOLVERS

PRECISION INTERNATIONAL ~ 14 TODD COURT EXT., YAPHANK, NY 11980

800.872.6649 ~ 631.567.2000 ~ sales@transmissionkits.com ~ www.transmissionkits.com

