

PRECISION™ INTERNATIONAL

NEW KIT BULLETIN

M78:DSI (BTR 575R6)

APPLICATION

SSANGYONG:

ACTYON (L42.0L, 2.3L) 2008-16

KORANDO SPORTS (L4 2.0L) 2012-16

KYRON (L4 2.0L) 2008-14

REBUILDING KITS

OVERHAUL: K19900BX+

K19900B*

BANNER: K1900BXW/O+

K1900BW/O*

MASTER: K1900BX+

K1900B*

PISTON KIT: K19900B-99

RING KIT: K19300B

FRICITION MODULE: K1900B-1F

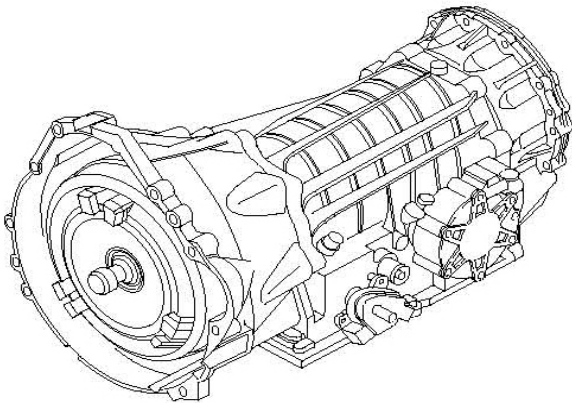
STEEL MODULE: K1900B-1S

* - W/ PISTON KIT

+ - W/O PISTON KIT

DISTINGUISHING CHARACTERISTICS

EXTENSION HOUSINGS DIFFER BETWEEN THE REAR WHEEL DRIVE AND 4 WHEEL DRIVE.



AVAILABLE COMPONENTS

FILTER

19575BTR

METAL CLAD SEALS

PUMP - 19084

EXTENSION HSG 2WD - 19053

EXTENSION HSG 4WD - 19238

MANUAL SHAFT - 19315

PAN GASKETS

19700X

BUSHINGS

19086

BANDS

B1 - 19700R

B2 - 19701R

BENEFITS

- 1 CONTAINS ALL V/B SCREENS AND CHECKBALLS.
- 2 SUB PACKAGED FOR EASE OF LOCATION.
- 3 OEM COMPARABLE MATERIAL.
- 4 COMES WITH OR WITH OUT MOLDED PISTONS.
- 5 PRECISION MOLDED PISTONS ARE VITON
- 6 CONTAINS RUBBER COATED METAL GASKETS WHERE NECESSARY.
- 7 COMES WITH BOTH 2WD AND 4WD EXTENSION HOUSING M/C SEALS.

THE PROBLEM SOLVERS



PRECISION INTERNATIONAL ~ 14 TODD COURT EXT., YAPHANK, NY 11980

800.872.6649 ~ 631.567.2000 ~ sales@transmissionkits.com ~ www.transmissionkits.com